

# SecureSeal™ Hybridization Chambers



Form removable, peel-and-stick enclosures to isolate specimens affixed to glass microscope slides.

Each package includes illustrated instructions for use and 120 adhesive port seals. Additional seal tabs are sold separately - (listed below).

SecureSeals are recommended for most protein and nucleic acid assays. If you are using Cy5® or Alexa Fluor® 647 direct-labeled DNA probes please refer to our new “fluorescent friendly” chambers or contact tech support 1-800-813-7339 for details.

621502		SA50
<p>1.6mm diameter ports, 2 places</p> <p>0.25mm polycarbonate</p> <p>0.5 mm silicone adhesive</p>	Item No.	Quantity Per Pack
	621502	50

621111-211/621301/621501		SA20-
<p>1.5mm diameter ports, 2 places</p> <p>0.25mm polycarbonate</p> <p>0.5 mm silicone adhesive</p>	Item No.	Quantity Per Pack
SA20-0.5	621501	40
<p>0.25mm polycarbonate</p> <p>1.0 mm silicone adhesive</p>	621111	40
<p>0.25mm polycarbonate</p> <p>2.0 mm silicone adhesive</p>	621211	40
<p>0.25mm polycarbonate</p> <p>2.5 mm silicone adhesive</p>	621301	40

621101-201/621202/621505		SA8R-
<p>1.5mm diameter ports, 16 places</p> <p>0.25mm polycarbonate</p> <p>0.5 mm silicone adhesive</p>	Item No.	Quantity Per Pack
SA8R-0.5	621505	20
<p>0.25mm polycarbonate</p> <p>1.0 mm silicone adhesive</p>	621101	20
<p>0.25mm polycarbonate</p> <p>2.0 mm silicone adhesive</p>	621201	20
<p>0.25mm polycarbonate</p> <p>2.5 mm silicone adhesive</p>	621202	20

623503	<p>1.5mm diameter ports, 2 places</p> <p>0.25mm polycarbonate 0.5 mm silicone adhesive</p>	SA200	Item No.	Quantity Per Pack
			623503	50

623504	<p>1.5mm diameter ports, 2 places</p> <p>0.25mm polycarbonate 0.5 mm silicone adhesive</p>	SA500	Item No.	Quantity Per Pack
			623504	50

623507	<p>1.5mm diameter ports, 2 places</p> <p>0.25mm polycarbonate 0.5 mm silicone adhesive</p>	SA600	Item No.	Quantity Per Pack
			623507	50

622506	<p>1.5mm diameter ports, 2 places</p> <p>0.25mm polycarbonate 0.5 mm silicone adhesive</p>	SA2657	Item No.	Quantity Per Pack
			622506	25

622513	<p>1.5mm diameter ports, 2 places</p> <p>0.25mm polycarbonate 0.5 mm silicone adhesive</p>	SA2260	Item No.	Quantity Per Pack
			622513	25

621506	<p>1.5mm diameter ports, 2 places</p> <p>0.25mm polycarbonate 0.5 mm silicone adhesive</p>	SA2260	Item No.	Quantity Per Pack
			621506	25

621507	<p>1.5mm diameter ports, 2 places</p> <p>0.25mm polycarbonate 0.5 mm silicone adhesive</p>	SA2171	Item No.	Quantity Per Pack
			621507	25

622507

1.5mm diameter ports, 2 places

Item No. 622507

Quantity Per Pack 20

SA4545

622511

1.5mm diameter ports, 2 places

Item No. 622511

Quantity Per Pack 25

SA2X2121

622512

1.5mm diameter ports, 2 places

Item No. 622512

Quantity Per Pack 25

SA2X2134

622508

1.5mm diameter ports, 6 places

Item No. 622508

Quantity Per Pack 25

SA3S-0.5

622514-614

1.5mm diameter ports, 12 places

Item No. 622514

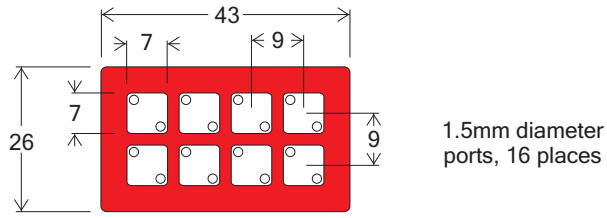
Quantity Per Pack 25

SA6L-0.5

Item No. 622614

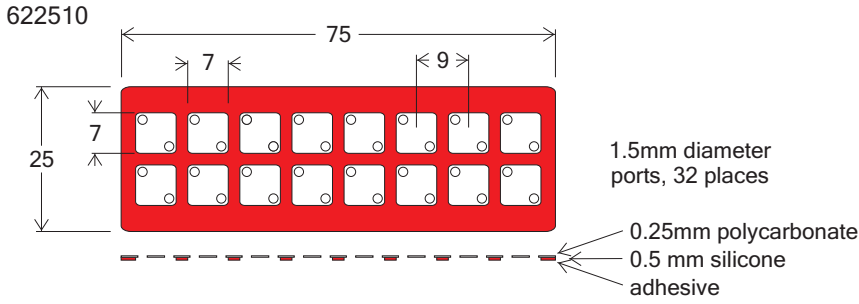
Quantity Per Pack 25

SA6L-1.0



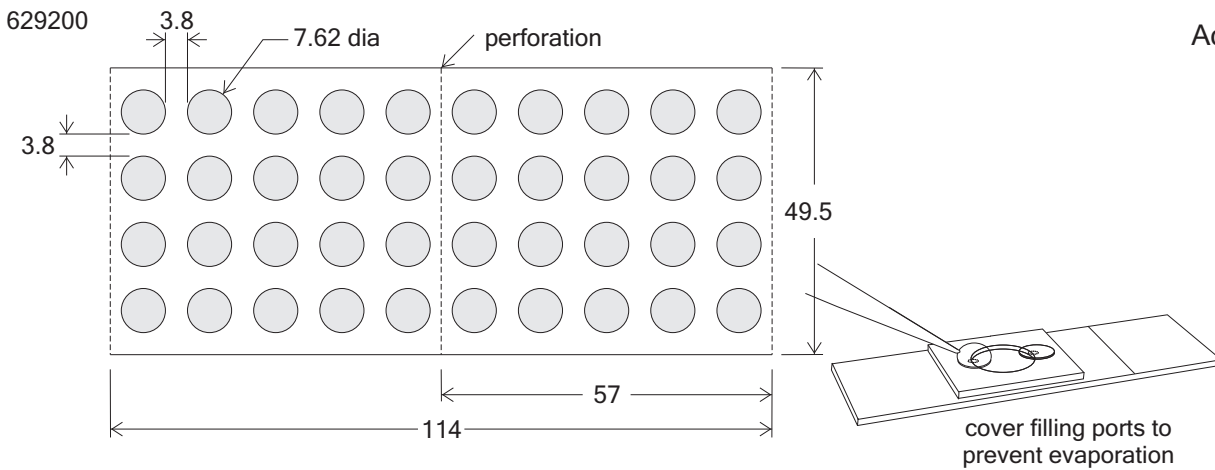
Item No.	Quantity Per Pack
621503	25
621102	25

SA8S-



Item No.	Quantity Per Pack
622510	25

SA16S-0.5



Adhesive Seal Tabs

Item No.	Quantity Per Pack
629200	200

SecureSeal™ Adhesive Sheets

SA-S-

The same SecureSeal adhesive used to make HybriWell and SecureSeal incubation chambers. Thin, double-sided tape on a non-woven carrier.

Clear, polyester liner on one surface, white clay coated paper on the other.

Sheet size = 7.25" x 10"      1 Sheet per Pack

Description	Item No.	Material Thickness (mm)	Quantity Per Pack
SA-S-1L	620001	0.12	1
SA-S-2L	620002	0.24	1
SA-S-3L	620003	0.36	1
SA-S-4L	620004	0.48	1