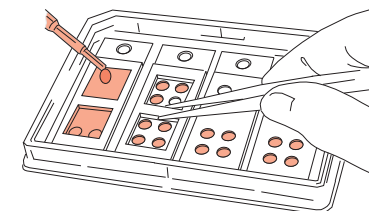
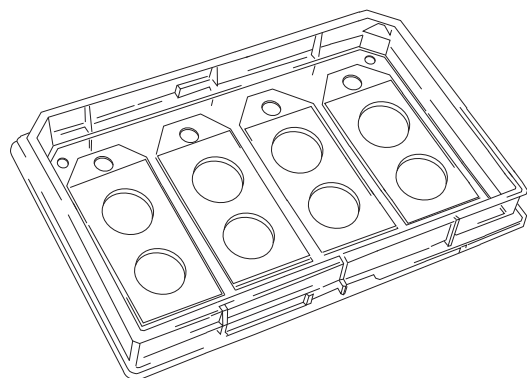


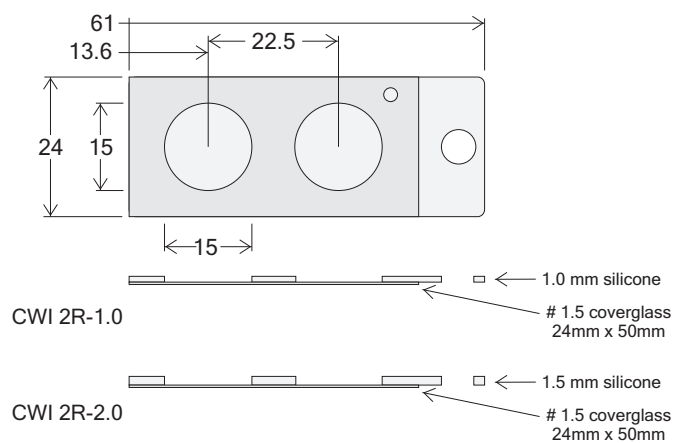
CultureWell™ Chambered Coverglass Inserts



103410/103420



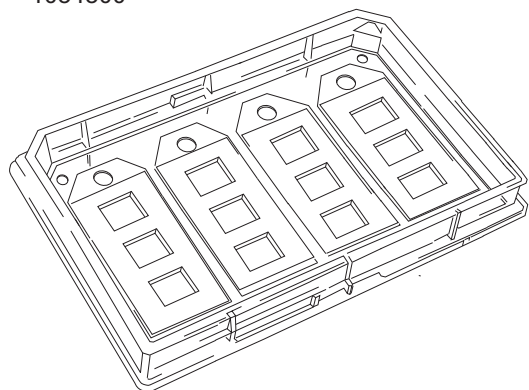
STERILE



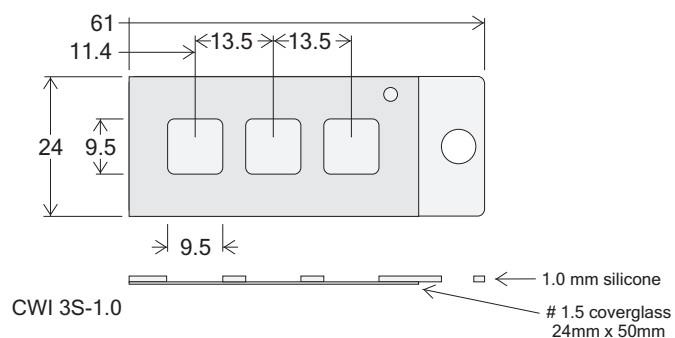
CWI 2R -

Item No.	Silicone Well Depth (mm)	Volume Per Well (ul)	Quantity Plates Per Pack
103410	1.0	250 - 400	10
103420	1.5	300 - 500	10

1034300



STERILE



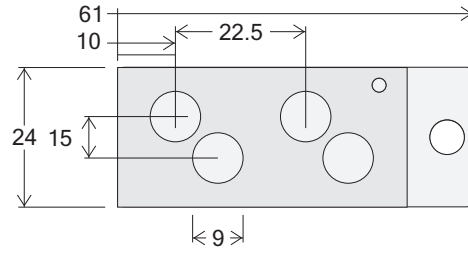
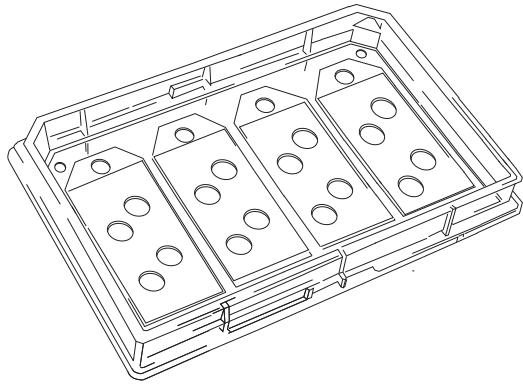
CWI 3S-1.0

Item No.	Silicone Well Depth (mm)	Volume Per Well (ul)	Quantity Plates Per Pack
103430	1.0	300 - 500	10

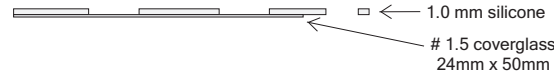
103440

STERILE

CWI 4R-1.0



CWI 4R-1.0

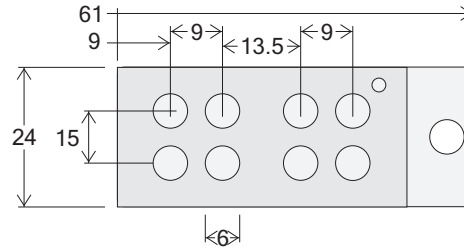
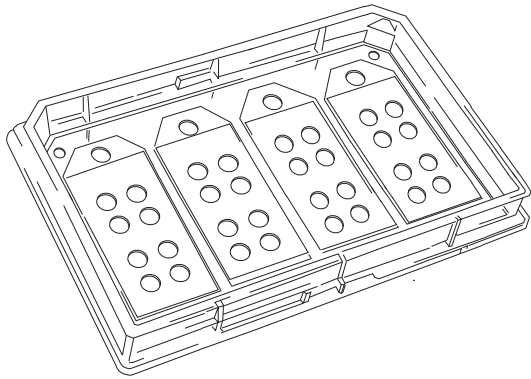


Item No.	Silicone Well Depth (mm)	Volume Per Well (ul)	Quantity Per Pack
103440	1.0	50 - 100	10

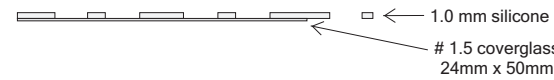
103480

STERILE

CWI 8R-1.0



CWI 8R-1.0

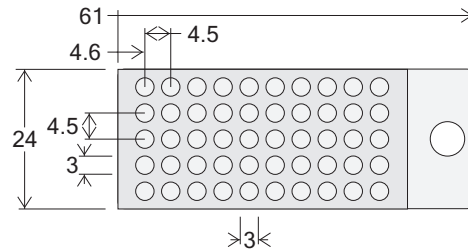
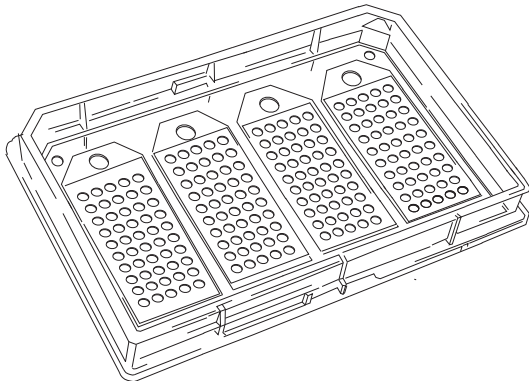


Item No.	Silicone Well Depth (mm)	Volume Per Well (ul)	Quantity Per Pack
103480	1.0	15 - 30	10

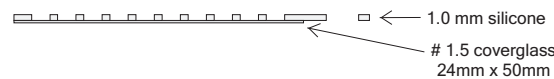
103450

STERILE

CWI 50R-1.0



CWI 50R-1.0



Item No.	Silicone Well Depth (mm)	Volume Per Well (ul)	Quantity Per Pack
103450	1.0	3 - 10	10

<< Previous