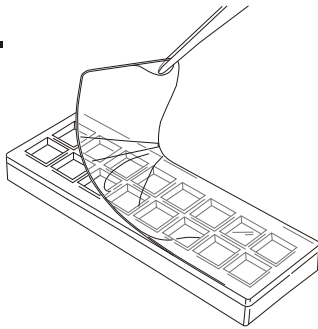


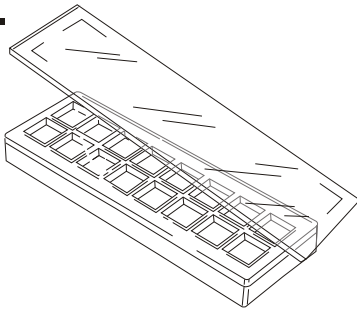
Illustrated Instructions for Assembling ProPlate™ Slide Modules

1.



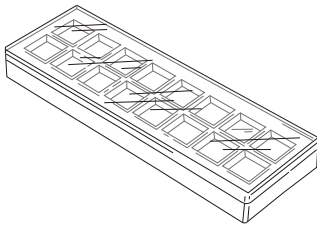
1. Remove release liner to expose silicone gasket.
2. Place microscope slide (array side down) over silicone gasket, aligning edges of slide with the edges of the upper structure.

2.



3. Press gently on back side of the slide to adhere slide to gasket.
4. Place clip onto slide/upper structure assembly by snapping onto long edge of module. Grasping assembly, place the flat inner edge of the clip over the glass slide, and press the clip into the groove in the upper structure surface.

3.



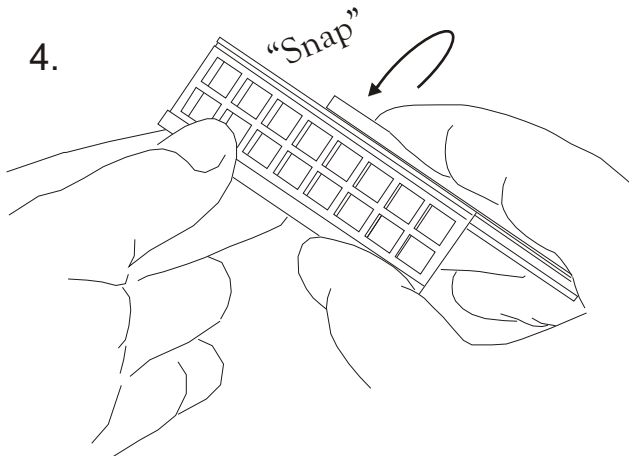
5. Slide clip until ends are flush with the assembly.

Alternatively, clips may be pressed against the bench top to facilitate application.

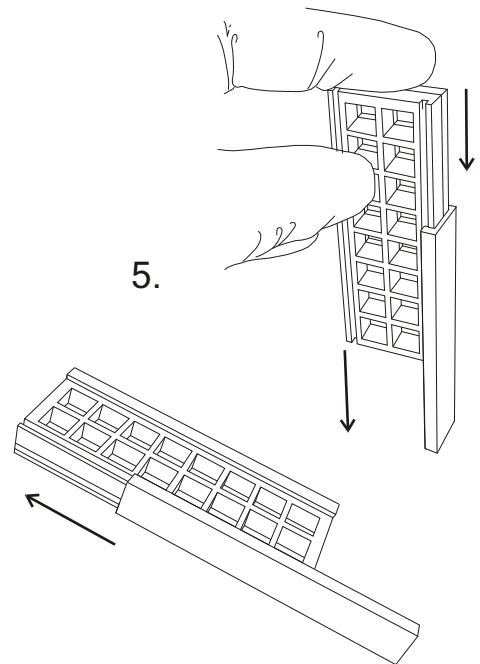
Repeat assembly steps for each clip.



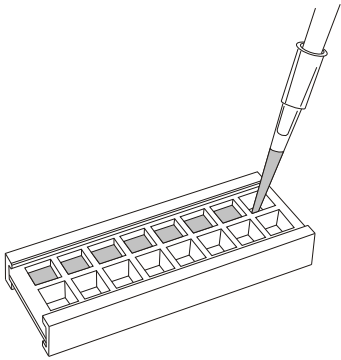
4.



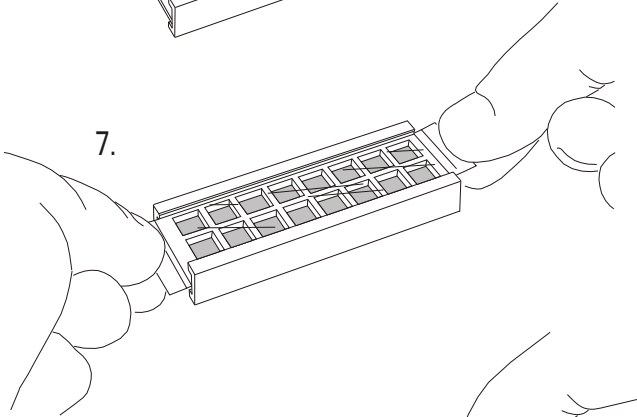
5.



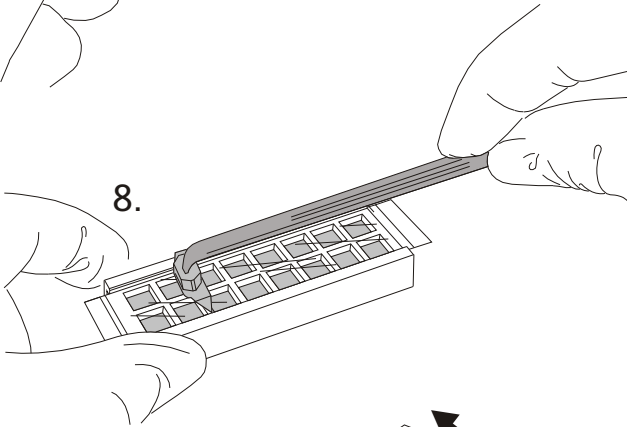
6.



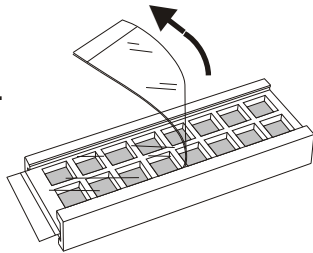
7.



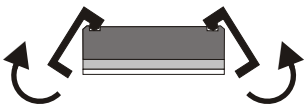
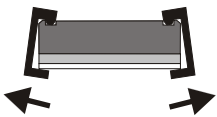
8.



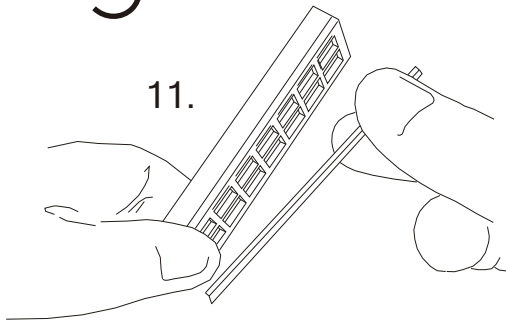
9.



10.



11.



6. Add reagents to each well. 9 mm center to center well spacing facilitates use with multichannel pipettes.

7. After filling, wells may be covered to prevent evaporation. Using ProPlate Seal Strips - remove the white liner from seal strip. Apply exposed adhesive side of seal strip to wells aligning edge of strip with clips.

8. Using seal strip applicator, smooth seal strip surface to remove bubbles, ensuring a leak-free seal.

9. After incubation, seal strip may be removed by peeling it off.

Module may be re-sealed using a fresh seal strip. Ensure that the well surface is dry before application.

10. Clips are easily removed by pulling clips away from the slide side of module.

11. Arrayed slide can simply be removed for analysis in a chip reader.

12. ProPlate tray holds up to four modules, resulting in a plate with standard microtitre plate footprint and well spacing for use with plate washers and readers.

12.

