

CultureWell™ Chambered Coverglass

Isolate cells using removable hydrophobic barriers on coverglass.

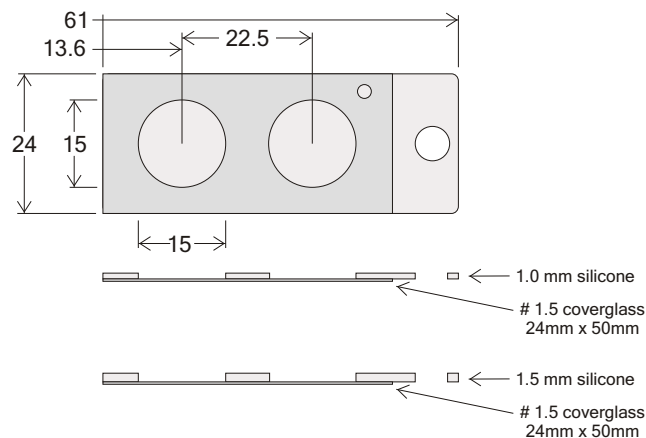
Each silicone gasket is pre-applied to a No. 1.5 desag coverglass. There are 4 gasketed coverglass per sterile pouch. There are 5 pouches per package for a total of 20 parts per order.

CultureWell silicone gaskets and coverglass (non-sterile) may be purchased separately - see below.

CWCS 2R-

STERILE

CWCS 2R-

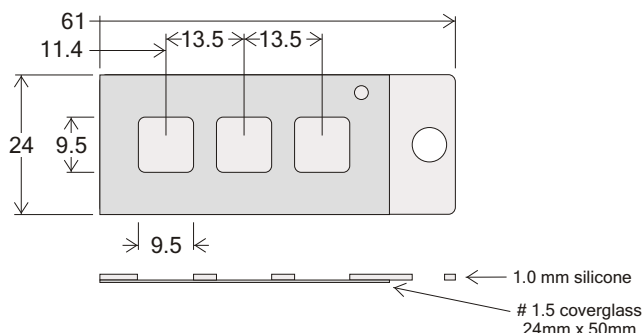


Item No.	Silicone Well Depth (mm)	Volume Per Well (ul)	Quantity Per Pack	Price Per Pack (US)
CWCS 2R-1.0	1.0	250 - 400	20	\$133.00
CWCS 2R-2.0	1.5	300 - 500	20	\$148.00

CWCS 3S-1.0

STERILE

CWCS 3S-1.0

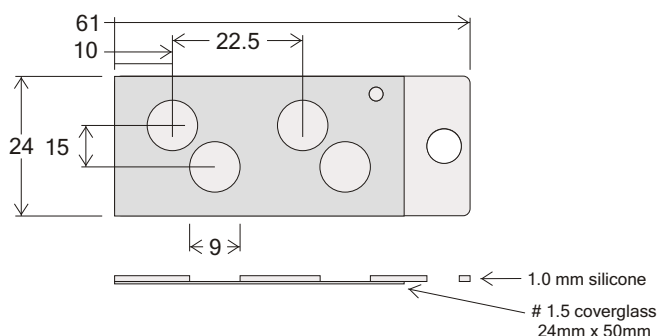


Item No.	Silicone Well Depth (mm)	Volume Per Well (ul)	Quantity Per Pack	Price Per Pack (US)
CWCS 3S-1.0	1.0	300 - 500	20	\$148.00

CWCS 4R-1.0

STERILE

CWCS 4R-1.0

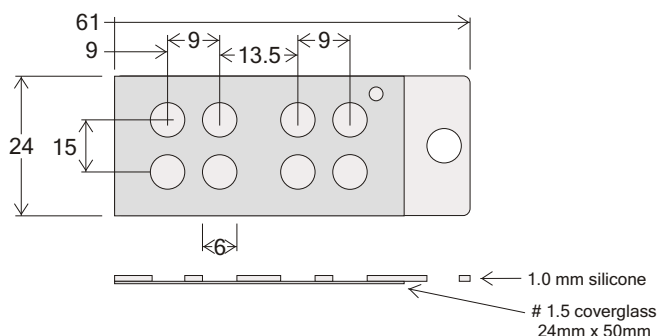


Item No.	Silicone Well Depth (mm)	Volume Per Well (ul)	Quantity Per Pack	Price Per Pack (US)
CWCS 4R-1.0	1.0	50 - 100	20	\$136.00

CWCS 8R-1.0

STERILE

CWCS 8R-1.0

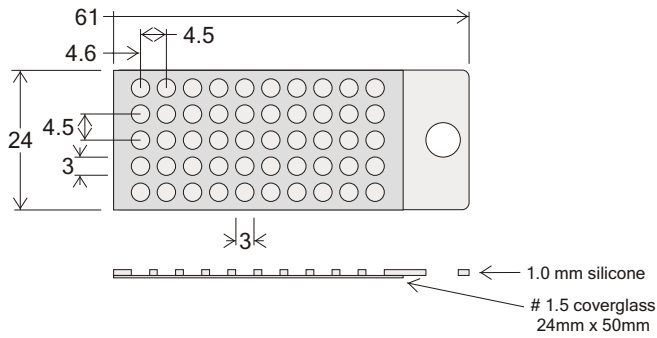


Item No.	Silicone Well Depth (mm)	Volume Per Well (ul)	Quantity Per Pack	Price Per Pack (US)
CWCS 8R-1.0	1.0	15 - 30	20	\$139.00

CWCS 50R-1.0

STERILE

CWCS 50R-1.0

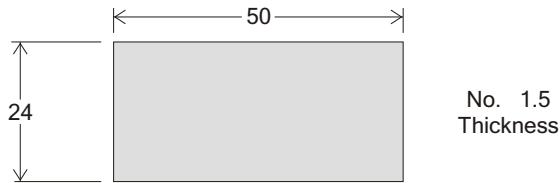


Item No.	Silicone Well Depth (mm)	Volume Per Well (ul)	Quantity Per Pack	Price Per Pack (US)
CWCS 50R-1.0	1.0	3 - 10	20	\$146.00

Coverglass Only

NON-STERILE

2450-1.5



Item No.	Quantity Per Pack	Price Per Pack (US)
2450-1.5	1 oz	\$ 26.00

CultureWell™ Gaskets

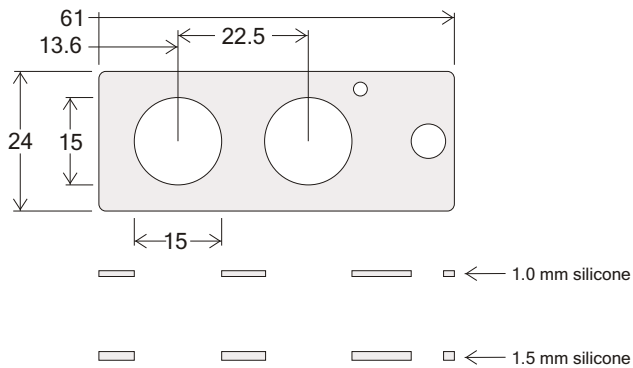
Reusable CultureWell gaskets are available bulk packaged.

Gaskets are non-sterile and may be sterilized by autoclaving, UV or alcohol.

CW 2R-

NON-STERILE

CW 2R-

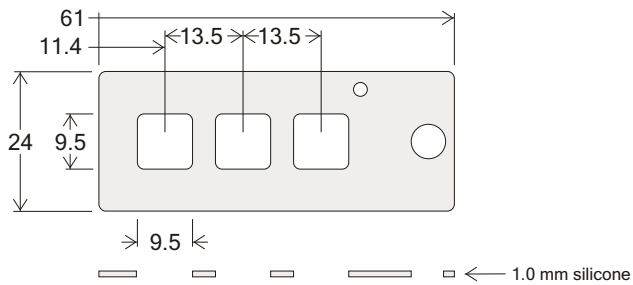


Item No.	Silicone Well Depth (mm)	Volume Per Well (ul)	Quantity Per Pack	Price Per Pack (US)
CW 2R-1.0	1.0	250 - 400	10	\$ 56.00
CW 2R-2.0	1.5	300 - 500	10	\$ 64.00

CW 3S-1.0

NON-STERILE

CW 3S-1.0

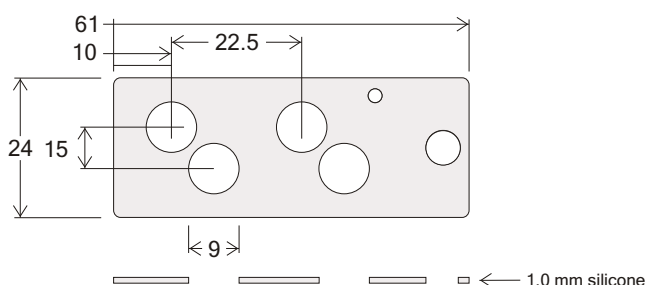


Item No.	Silicone Well Depth (mm)	Volume Per Well (ul)	Quantity Per Pack	Price Per Pack (US)
CW 3S-1.0	1.0	300 - 500	10	\$ 64.00

CW 4R-1.0

NON-STERILE

CW 4R-1.0



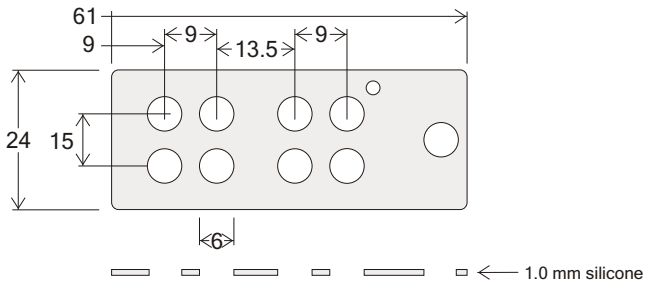
Item No.	Silicone Well Depth (mm)	Volume Per Well (ul)	Quantity Per Pack	Price Per Pack (US)
CW 4R-1.0	1.0	50 - 100	10	\$ 58.00

More >>

CW 8R-1.0

NON-STERILE

CW 8R-1.0

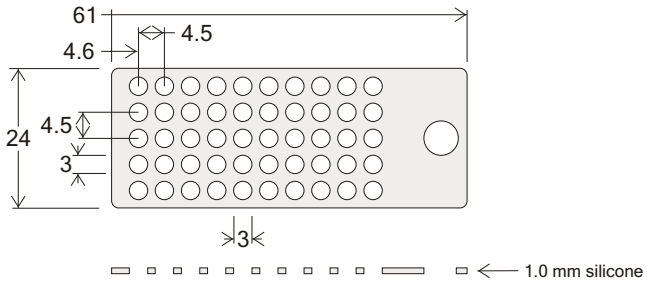


Item No.	Silicone Well Depth (mm)	Volume Per Well (ul)	Quantity Per Pack	Price Per Pack (US)
CW 8R-1.0	1.0	15 - 30	10	\$59.00

CW 50R-1.0

NON-STERILE

CW 50R-1.0



Item No.	Silicone Well Depth (mm)	Volume Per Well (ul)	Quantity Per Pack	Price Per Pack (US)
CW 50R-1.0	1.0	3 - 10	10	\$ 63.00

<< Previous